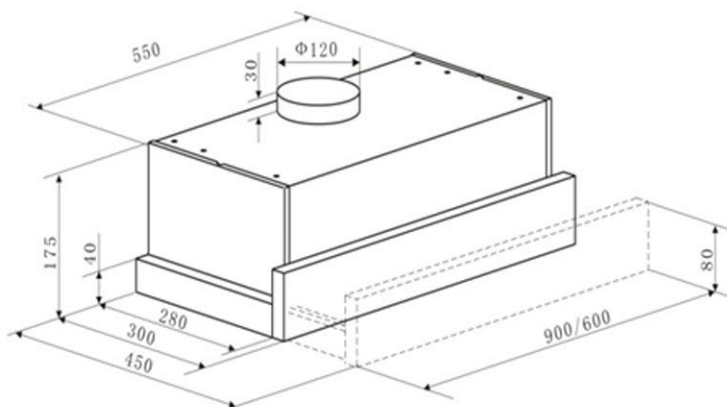




## FEATURES

### Product description

- **Stainless Steel front panel.**
- **Twin Motor, Twin Fans.**
- **2x100w three speed motor.**
- **2x40w Light.**
- **Airflow capacity: 440 m3/h.**
- **3 speed slider on the top of the unit.**
- **Rated input power: 280w**
- **Re-circulation hood.**
- **Aluminium Filters.**
- **Width - 90 cm**
- **Charcoal Filter**



## DRAWING