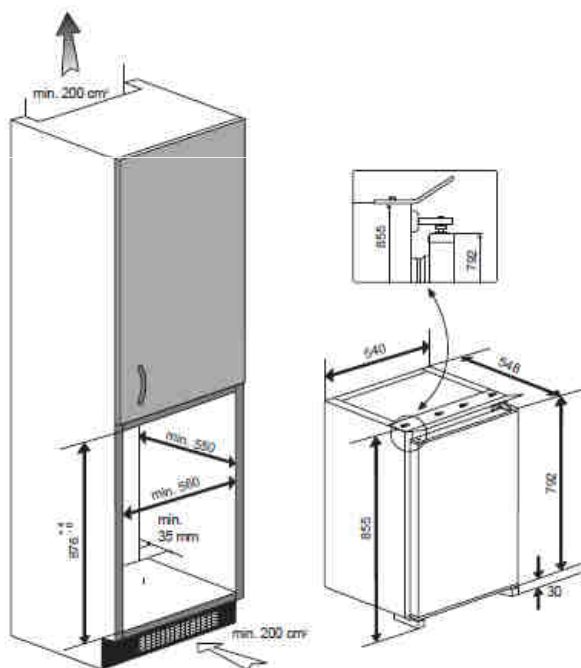


TKI3 130

FEATURES



- Built-in refrigerator
- Sliding door installation
- Mechanical control
- Adjustable thermostat
- Reversible door
- Automatic defrost in the fridge
- Adjustable safety glass shelves
- Transparent vegetable drawers
- **** freezer
- Hidden evaporator
- Inner light
- Antibacterial treatment (silver ion coating)
- Energy consumption: 0,397 kWh/24h
- Annual consumption: 145 kWh/year
- Freezing capacity: 2 kg/24h
- Autonomy from power failure: 10 hours
- 1 compressor / R600a / 19 gr
- Noise level: 39 dBA
- Energy class: A++
- Climate class: SN -T
- Total gross capacity 120 litres
- Refrigerator net capacity: 97 litres
- Freezer net capacity: 13 litres
- Power supply/Frequency: 230 V/50 Hz
- Dimensions:
 - Refrigerator (h/w/d): 866/540/548 mm
 - Niche(h/w/d): 876-880 /560/550 mm

TKI3 130

CODE

40693113

EAN13

8421152114438