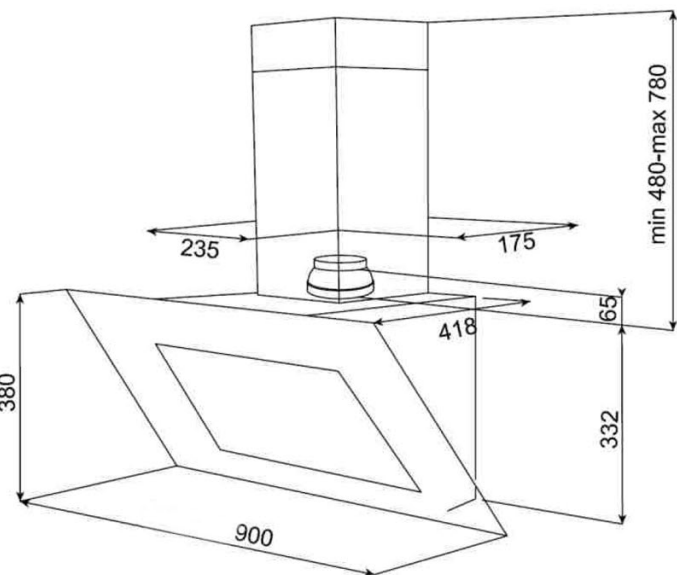


EcoPower DVT 985



CHARACTERISTICS

- Vertical Hood 90 cm width
- Panoramic design
- Colors: Black / White
- Rim- extraction
- Touch control with white display
- 2x3 W LED Lamps
- 3 + 1 speeds
- Stop delay timer
- Filter saturation indicator
- Aluminium filters
- Double turbine motor
- Reduction 150/120mm included
- European plug included
- Optional recirculation mode (SET 1/M)
- Annual Energy Consumption (AEChood) kWh/a 51,1
- Energy Efficiency class A
- Fluid Dynamic Efficiency (FDEhood) 32,3
- Fluid Dynamic Efficiency class A
- Light Efficiency (Lehood) lux/Watt 69,8
- Lighting Efficiency class A
- Grease Filtering Efficiency (GFEhood) % 75,9
- Grease Filtering Efficiency class C
- Air flow (Qmin) m3/h 303,0
- Air flow (Qmax) m3/h 599,0
- Air flow (Qboost) m3/h 786,0
- Noise (LwA) Min Speed dB 52,0
- Noise (LwA) Max Speed dB 66,0
- Noise (LwA) Boost Speed dB 71,0
- Off mode Power (Po) W 0,0
- Standby Power (Ps) W 1,2
- Energy Efficiency Index (EEIhood) 47,9
- Time increase actor (f) 0,8
- Air flow at best efficiency point (Qbep) m3/h 404,9
- Air pressure at best efficiency point (Pbep) Pa 460,0
- Electric power input at best efficiency point (Wbep) W 160,1
- Nominal power of the lighting system (WL) W 6,0
- Average illumination of the lighting system on the cooking surface (Emiddle) Lux 419,0

Model	Teka Code	EAN Code
Eco Power DVT 985 B	40483562	8421152130704