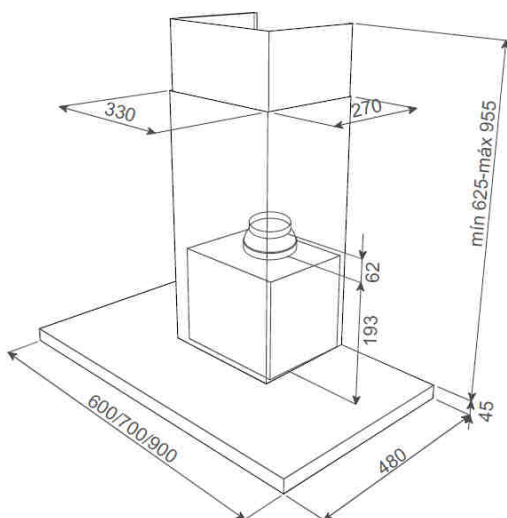
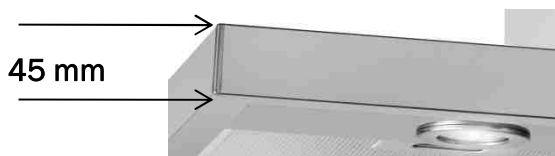
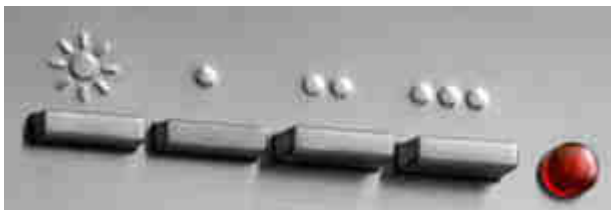


UltraSlim DJ 680/980



CHARACTERISTICS

- Rectangular Push Buttons
- Operating Pilot Light
- Conventional extraction
- 3 speeds
- 2 X 20 W Halogen lamps
- Aluminum filters
- Double turbine motor
- Reduction 150/120mm included
- European plug included
- Optional recirculation mode (SET 1/N)
- Annual Energy Consumption (AEhood) kWh/a 160,6
- Energy Efficiency class D
- Fluid Dynamic Efficiency (FDEhood) 12,7
- Fluid Dynamic Efficiency class E
- Light Efficiency (Lehood) lux/Watt 7,0
- Lighting Efficiency class F
- Grease Filtering Efficiency (GFEhood) % 76,1
- Grease Filtering Efficiency class C
- Air flow (Qmin) m³/h 295,0
- Air flow (Qmax) m³/h 650,0
- Noise (LwA) Min Speed dB 47,9
- Noise (LwA) Max Speed dB 66,2
- Off mode Power (Po) W 0,0
- Standby Power (Ps) W 0,0
- Energy Efficiency Index (EEIhood) 94,9
- Time increase actor (f) 1,5
- Air flow at best efficiency point (Qbep) m³/h 427,0
- Air pressure at best efficiency point (Pbep) Pa 257,0
- Electric power input at best efficiency point (Wbep) W 240,0
- Nominal power of the lighting system (WL) W 40,0

Model	Teka Code	EAN Code
UltraSlim DJ 680	40484810	8421152131053
UltraSlim DJ 980	40484812	8421152131060