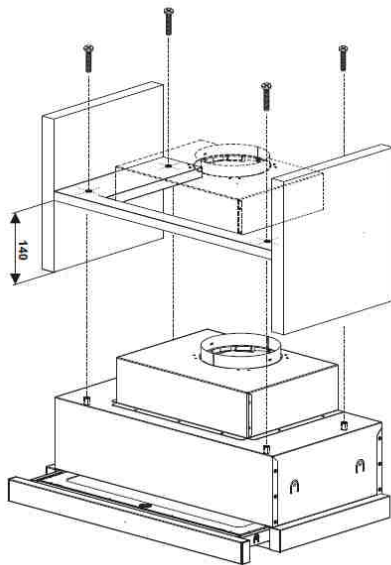
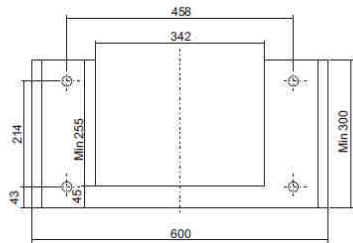
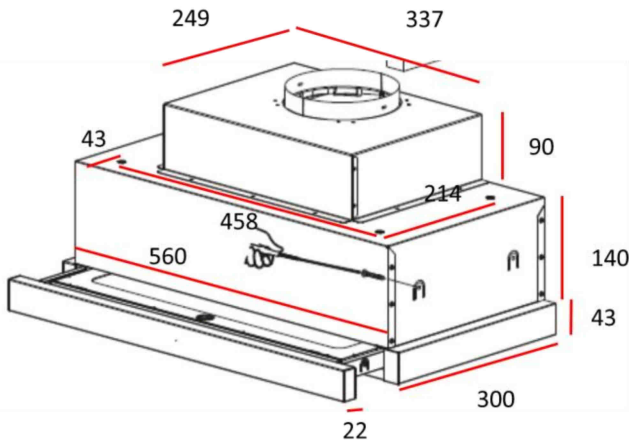


CNL 6610 INOX



FEATURES

- Stainless Steel
- Motor: 1 C Class energy efficiency
- Conventional extraction
- Electronic controls
- 3 speeds
- 2x1,5W LED lamps
- Aluminum filters
- Air outlet 150mm
- European plug included
- Optional recirculation mode (D4C filter)
- Annual Energy Consumption (AEC<sub>hood</sub>) kWh/a 105,9
- Energy Efficiency class C
- Fluid Dynamic Efficiency (FDE<sub>hood</sub>) 17,2
- Fluid Dynamic Efficiency class D
- Light Efficiency (Lehood) lux/Watt 42,7
- Lighting Efficiency class A
- Grease Filtering Efficiency (GFE<sub>hood</sub>) % 72,8
- Grease Filtering Efficiency class D
- Air flow (Qmin) m<sup>3</sup>/h 330
- Air flow (Qmax) m<sup>3</sup>/h 445
- Air flow (Qboost) m<sup>3</sup>/h 694
- Noise (LwA) Min Speed dB 60
- Noise (LwA) Max Speed dB 63
- Noise (LwA) Boost Speed dB 70
- Off mode Power (Po) W N/A
- Standby Power (Ps) W N/A
- Energy Efficiency Index (EEI<sub>hood</sub>) 82,4
- Time increase actor (f) 1,4
- Air flow at best efficiency point (Qbep) m<sup>3</sup>/h 433
- Air pressure at best efficiency point (Pbep) Pa 290
- Electric power input at best efficiency point (Wbep) W 203
- Nominal power of the lighting system (WL) W 3
- Average illumination of the lighting system on the cooking surface (Emiddle) Lux 128

DESCRIPTION	TKI CODE	EAN
CNL 6610 INOX	40436830	8421152146231

