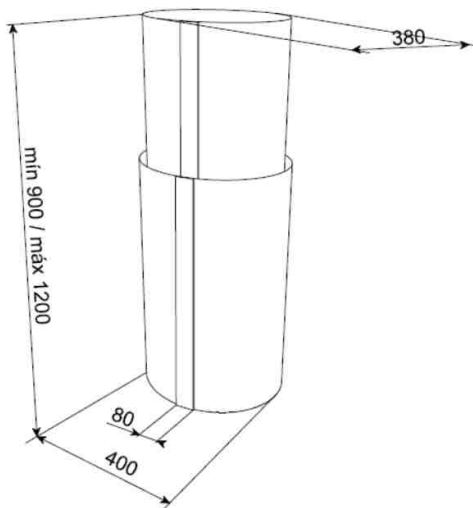


CC-485 INOX



CHARACTERISTICS

- Tube design shape
- Wall & Island
- Touch control with white display
- LED 2x3W lamps
- Stop delay timer
- 3 speeds + intensive
- Filter saturation indicator
- 1 Stainless steel/Aluminum filter
- Double turbine motor
- Reduction 150/120mm included
- European plug included
- Optional recirculation mode (SET 1/I)
- Annual Energy Consumption (AEC<sub>hood</sub>) kWh/a 44,7
- Energy Efficiency class A
- Fluid Dynamic Efficiency (FDE<sub>hood</sub>) 32,2
- Fluid Dynamic Efficiency class A
- Light Efficiency (Lehood) lux/Watt 87,3
- Lighting Efficiency class A
- Grease Filtering Efficiency (GFE<sub>hood</sub>) % 77,8
- Grease Filtering Efficiency class C
- Air flow (Qmin) m<sup>3</sup>/h 305
- Air flow (Qmax) m<sup>3</sup>/h 525
- Air flow (Qboost) m<sup>3</sup>/h 771
- Noise (LwA) Min Speed dB 50
- Noise (LwA) Max Speed dB 72
- Noise (LwA) Boost Speed dB 78
- Off mode Power (Po) W 0
- Standby Power (Ps) W 0,74
- Energy Efficiency Index (EEI<sub>hood</sub>) 47,3
- Time increase actor (f) 0,8
- Air flow at best efficiency point (Qbep) m<sup>3</sup>/h 345
- Air pressure at best efficiency point (Pbep) Pa 465
- Electric power input at best efficiency point (Wbep) W 138,2
- Nominal power of the lighting system (WL) W 6
- Average illumination of the lighting system on the cooking surface (Emiddle) Lux 524

MODEL	TKI CODE	EAN CODE
CC 485 INOX	40480330	8421152145869

