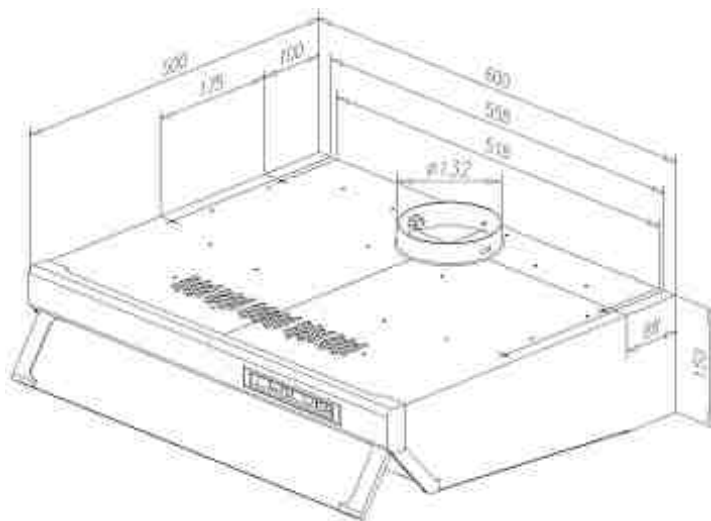


C 6310



FEATURES

- Stainless Steel , White and Black versions
- 1 Motor
- Conventional extraction
- Width of 60cm
- 3 Speeds
- Push buttons (SS version) & Slider Control Color versions)
- 2X28 halogen bulbs
- Operating Pilot Light
- Aluminum Filters
- European plug included
- Outlet Ø120mm
- Optional recirculation mode (C2R filter)
- Annual Energy Consumption (AEC_{hood}) kWh/a 130,9
- Energy Efficiency class E
- Fluid Dynamic Efficiency (FDE_{hood}) 5,3
- Fluid Dynamic Efficiency class F
- Light Efficiency (Lehood) lux/Watt 0,8
- Lighting Efficiency class G
- Grease Filtering Efficiency (GFE_{hood}) % 72,8
- Grease Filtering Efficiency class D
- Air flow (Qmin) m³/h 124
- Air flow (Qmax) m³/h 235
- Noise (LwA) Min Speed dB 49
- Noise (LwA) Max Speed dB 66
- Off mode Power (Po) W N/A
- Standby Power (Ps) W N/A
- Energy Efficiency Index (EEI_{hood}) 107,7
- Time increase actor (f) 1,8
- Air flow at best efficiency point (Qbep) m³/h 136
- Air pressure at best efficiency point (Pbep) Pa 191
- Electric power input at best efficiency point (Wbep) W 137
- Nominal power of the lighting system (WL) W 56
- Average illumination of the lighting system on the cooking surface (Emiddle) Lux 44



DESCRIPTION	TKI CODE	EAN
C 6310 INOX	40461540	8421152146057
C 6310 WH BLANCA	40461541	8421152146064
C 6310 BK NEGRA	40461542	8421152146071